



Site Safety Protection Catalogue

Buy Direct Online Today at www.polymax.co.uk

E: sales@polymax.co.uk

T: +44 (0)1420 550599

W: www.polymax.co.uk



Welcome to the Polymax Site Safety Protection Catalogue

In this catalogue you'll find our complete range of site safety solutions including traffic control systems, high-visibility protection equipment, and wheel chocks. Every item is designed and tested to help protect workers and vehicles, and improve site safety, whether you're looking for speed management, warehouse protection or general safety improvements. We're taking the guesswork out of procurement by including detailed technical drawings, online datasheets and the ability to purchase every item online to give you the best buying experience from start to finish.

If you can't find what you're looking for, or just want some friendly advice, get in touch with our sales team. Remember, if it's made of rubber, we can supply it.

Corporate Head Office

Hampshire, England, United Kingdom

E: sales@polymax.co.uk
T: +44 (0)1420 550599
W: www.polymax.co.uk

Polymax India

E: sales@polymax.in
T: +91 (0)7678 005003
W: www.polymax.in

WORLDWIDE CUSTOMER SUPPORT TEAM

Polymax Polska

E: biuro@polymaxpolska.pl
T: +48 22 208 4400
W: www.polymax.pl

Polymax Nederland

E: sales@oringen.eu
T: +31 70 250 0606
W: www.oringen.eu

Contents

Traffic Control Systems

Pages 5-15

Speed Ramps	Page 5
Chevron Wheel Stops	Page 6
HGV Kerbs	Page 7
Heavy Duty Kerbs	Page 7
Extruded Rubber Kerb	Page 7
Floor Cable Cover	Page 8
Foot Traffic Cable Covers	Page 9
Rubber Cable Cover	Page 9
Cable Ramp	Page 10
Custom Cable Ramp	Page 10
MPC Multi Cable Protector	Page 11
PU MPC Heavy Duty Cable Protector	Page 12
Kerb Ramp	Page 12
Heavy Duty Cable Protector	Page 13
HGV Outdoor Cable Protector	Page 14
Anti-Slip Pedestrian Ramp	Page 14
Hi-Viz Yellow Safety Matting	Page 15

High Visibility Protection

Pages 17-21

Foam Edge Protectors	Page 17
Hazard Tape Medium Coarse	Page 18
Anti-Slip Tape Extra Coarse	Page 19
Reflective Tape 45 Metres	Page 19
Chevron Wall Guard	Page 19
Reflective Chevron Wall Guard	Page 20
Double D Wall Guard	Page 20
Extruded Wall Protector	Page 20
Reflective Corner Protector	Page 21
Bull Nose Corner Fender	Page 21
Cruise Corner Fender	Page 21
Racking Corner Protector	Page 21

HGV Protection and Wheel Chocks

Pages 23-29

Wheel Guides	Page 23
Trailer Plates	Page 23
Standard Wheel Chocks	Page 24
Pyramid Wheel Chocks	Page 25
Yellow Wheel Chocks	Page 26
DIN Approved Wheel Chocks	Page 26
Aircraft Wheel Chocks	Page 27
Wheel Chock Fixings	Page 28
Wheel Chock Holders	Page 29



Traffic Control Solutions

Slow down and divert all types of traffic, from pedestrians to HGVs.

We offer a superb range of durable traffic control solutions including speed ramps, parking kerbs and cable protectors, each designed to safely redirect and manage traffic in any situation. Every product in the collection is made using a long-lasting, industry-approved, NR/SBR rubber blend designed to help you effectively slow, or divert, all types of traffic. If you're after something even stronger, then we've got you covered with a range of products created using our super durable TPX or Type Cord Hi-fibre reinforced rubber.

In this section you'll discover our complete collection of:

- Speed Ramps
- Wheel Kerbs
- Cable Protectors
- Pedestrian Matting



Economy Speed Bumps

SPECIFICATIONS

- Material: NR/SBR Rubber
- Hardness: 80 ShA
- Density: 1.9 g/cm³
- Temperature Resistance: -20°C to 70°C

PRODUCT OVERVIEW

The Polymax Economy Speed Bump is a 50mm high ramp designed to slow vehicles down to 10 MPH, with reflective cat's eyes to help improve driver visibility in low light conditions. All our Economy Speed Bumps are fully-customisable, letting you create the perfect combination of size and quantity depending on your requirements.

Ideal for use in public and private roads, car parks, warehouse loading areas, or as a temporary traffic calming solution.

Product SKU	Length (mm)	Width (mm)	Height (mm)	Max Speed (MPH)	Section Type	Colour
1056320	250	350	50	10	End	Black
1056321	250	350	50	10	End	Yellow



Arrow Speed Bumps

SPECIFICATIONS

- Material: NR/SBR Rubber
- Hardness: 80 ShA
- Density: 1.9 g/cm³
- Temperature Resistance: -20°C to 70°C

PRODUCT OVERVIEW

The Polymax Arrow Speed Bump is a 75mm high ramp designed to slow vehicles down to 5 MPH, with prominent reflective arrows to help significantly improve driver visibility in low light conditions. All our Arrow Speed Bumps are fully-customisable, letting you create the perfect combination of size and quantity depending on your requirements.

Ideal for use in public and private roads, car parks, warehouse loading areas, or as a temporary traffic calming solution where minimal traffic speed is required to ensure driver and pedestrian safety.

Product SKU	Length (mm)	Width (mm)	Height (mm)	Max Speed (MPH)	Section Type	Colour
6005115	500	550	75	5	Centre	Black
6005116	500	550	75	5	Centre	Yellow
6005117	250	550	75	5	End	Black
6005118	250	550	75	5	End	Yellow



Chevron Wheel Stops

SPECIFICATIONS

- Material: NR/SBR or TPX Rubber
- Hardness: 80 ShA
- Density: 1.9 g/cm³
- Temperature Resistance: -20°C to 70°C

PRODUCT OVERVIEW

We offer a full range of Chevron Wheel Stops for use in any situation, from private parking to commercial loading areas. Made from commercial grade NR/SBR blend or TPX rubber, our durable, high-visibility, Wheel Stops come in a variety of shapes designed to prevent stationary vehicles from rolling into hazards, walls or other vehicles.



Product SKU	Size (mm)	Weight (kg)
6002207	900L x 150W x 95H	7.1
Material: NR/SBR		



Product SKU	Size (mm)	Weight (kg)
6002209	550L x 150W x 100H	4
Material: NR/SBR		



Product SKU	Size (mm)	Weight (kg)
1058676	1000L x 145W x 50H	7
Material: NR/SBR		



Product SKU	Size (mm)	Weight (kg)
1058395	1650L x 160W x 100H	13
Material: NR/SBR		



Product SKU	Size (mm)	Weight (kg)
6002208	595L x 120W x 105H	5
Material: NR/SBR		



Product SKU	Size (mm)	Weight (kg)
1058616	710L x 145W x 100H	5.3
Material: TyreCord Hi-Fibre		



SKU	1058673
Size (mm)	1200L x 250W x 160H



SKU	1058679
Size (mm)	1200L x 250W x 108H

HGV Kerbs

PRODUCT OVERVIEW

When working with heavy, high-impact, vehicles, sometimes rubber wheel stops don't offer suitable protection.

Our comprehensive range of steel-based HGV Kerbs are designed to safely prevent impacts from HGVs and other large vehicles, without causing damage to the tyres or body work. The 8mm thick galvanised steel base bolts directly to the tarmac or concrete; with a robust rubber bumper, complete with recessed yellow glass bead tape, to soften impacts and increase driver visibility.

Ideal for use in HGV parking bays, warehouse loading areas or any other site with a large volume of heavy vehicles.



SKU	1058677
Size (mm)	2500L x 100W x 170H



SKU	1058678
Size (mm)	610L x 200W x 100H

Heavy Duty Kerbs

PRODUCT OVERVIEW

For ultimate protection our steel Heavy Duty Kerbs will prevent any vehicle from driving where they shouldn't. A vibrant yellow powder coating maximises visibility and is designed to endure impact without scuffing or scratching. Meanwhile, 5mm thick galvanised steel, and two 10mm thick steel base plates, helps ensure vehicles come to a complete stop if necessary.

Our Heavy Duty Kerbs are excellent for HGV parking bays, warehouse loading areas, public and private car parks, and trailer bays in logistics centres.

Extruded Rubber Kerb

SPECIFICATIONS

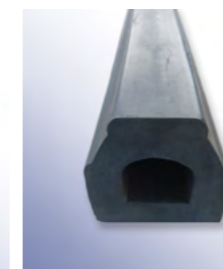
- Material: NR/SBR Rubber
- Hardness: 80 ShA
- Density: 1.9 g/cm³
- Temperature Resistance: -15°C to 70°C

PRODUCT OVERVIEW

Our simple, cost-effective, Extruded Rubber Kerbs are shaped into a perfect extruded profile with convenient fixing plates that bolt directly to tarmac or concrete. This is an ideal solution for covering large areas, primarily used by cars and light commercial vehicles, such as car parks or warehouse loading areas. We can provide pre-built solutions that come complete with the rubber profile and two fixing plates, or each part can be bought separately.



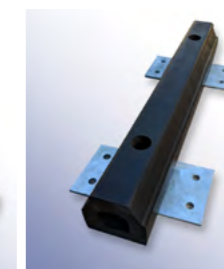
SKU	6005202
Size (mm)	250L x 125W x 4H



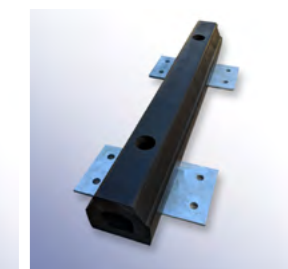
SKU	6005200
Size (mm)	2000L x 100W x 100H



SKU	1058693
Size (mm)	1200L x 150W x 130H



SKU	1058675
Size (mm)	1000L x 100W x 100H



SKU	1058674
Size (mm)	660L x 100W x 100H

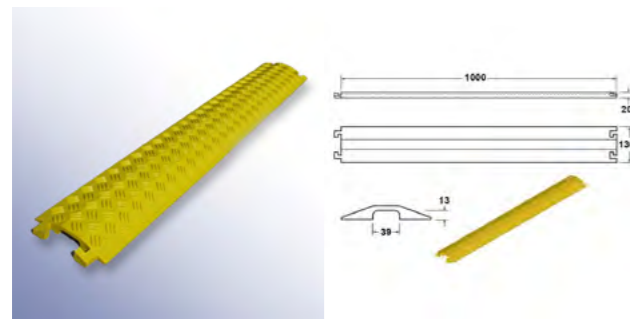
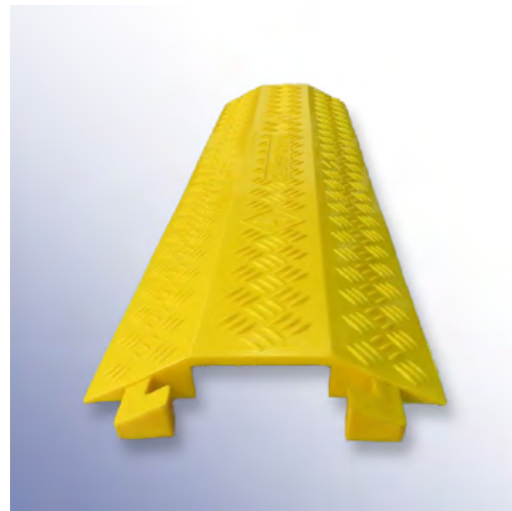
Floor Cable Protector

SPECIFICATIONS

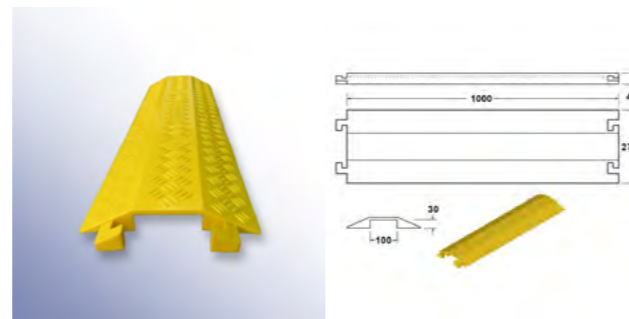
- Material: Polyethylene or LPDE
- Hardness: 95 ShA
- Tensile Strength: 4 Mpa
- Temperature Resistance: -20°C to 55°C

PRODUCT OVERVIEW

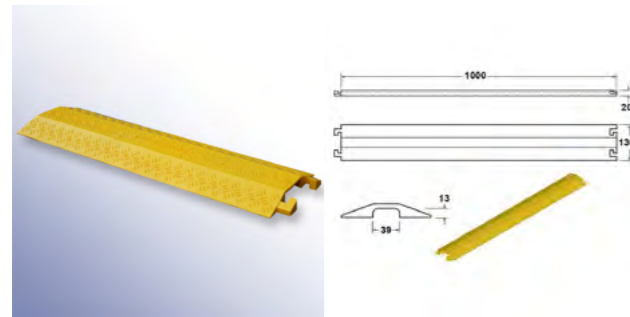
Our range of Floor Cable Protectors are suitable for small hose and cable protection up to 30mm. Each protector comes with an anti-slip textured top surface for maximum grip, perfect for both indoor and outdoor use. All of our cable protectors are supplied in one metre units that can be easily linked together to create your required length. This simple drop over cable protector works for both pedestrian and light vehicle traffic. They are the perfect, affordable, option for cable management in commercial and industrial buildings, construction sites and at events.



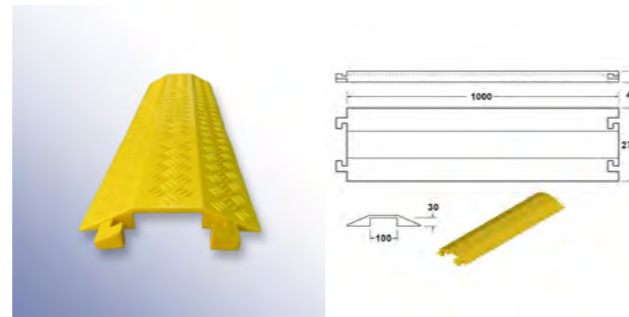
Product SKU	Size (mm)	Weight (kg)
6002205	1000L x 135W x 20H	2
Material: Polyurethane		



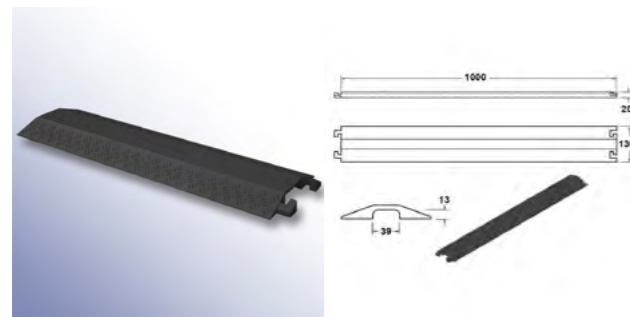
Product SKU	Size (mm)	Weight (kg)
6002206	1000L x 275W x 40H	3
Material: Polyurethane		



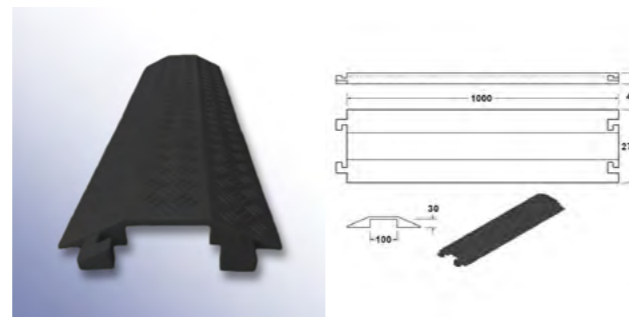
Product SKU	Size (mm)	Weight (kg)
6009737	1000L x 135W x 20H	2
Material: LPDE		



Product SKU	Size (mm)	Weight (kg)
6009738	1000L x 275W x 40H	2.8
Material: LPDE		



Product SKU	Size (mm)	Weight (kg)
1058730	1000L x 135W x 20H	2
Material: LPDE		



Product SKU	Size (mm)	Weight (kg)
1058731	1000L x 275W x 40H	2.8
Material: LPDE		

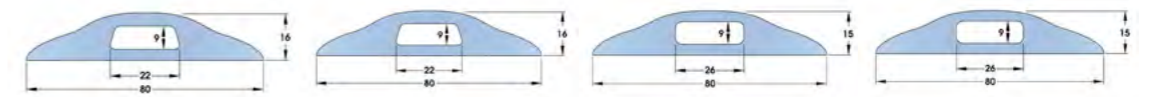
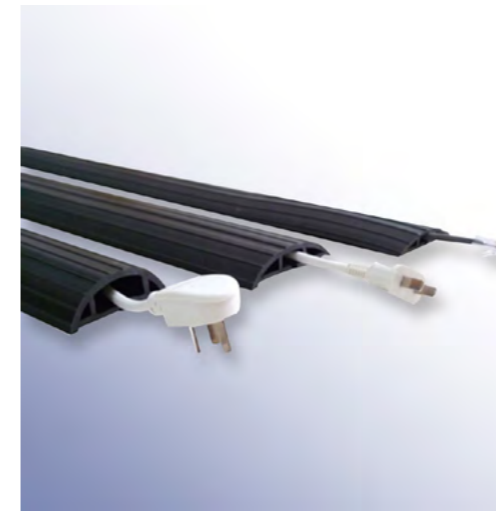
Foot Traffic Cable Covers

SPECIFICATIONS

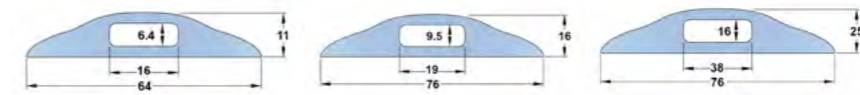
- Material: NR/SBR, PVC and EPDM

PRODUCT OVERVIEW

Our range of durable Foot Traffic Cable Covers are designed to improve pedestrian safety, whilst safely encasing your cables to prevent damage. Our thinnest cable cover is the perfect way to comprehensively protect loose cables from light pedestrian traffic at events, in commercial and industrial buildings, and on construction sites. All our cable covers are available in a variety of materials and channel widths to suit the number of cables you need to cover. They are also available in bright yellow to help increase visibility and highlight potential trip hazards.



Product SKU	1001749	1001724	1056353	1001725
Size (mm)	5000L x 80W x 16H	10000L x 80W x 16H	3000L x 80W x 15H	6000L x 80W x 15H
Material	Yellow PVC	Yellow PVC	Black EPDM	Black EPDM



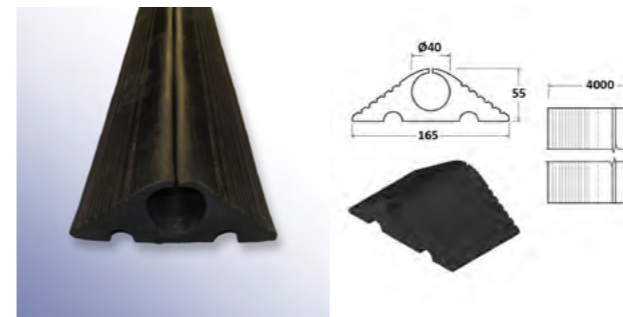
Product SKU	1056610	1056312	1056611
Size (mm)	9000L x 64W x 11H	9000L x 76W x 16H	9000L x 76W x 25H
Material	Black PVC	Black PVC	Black PVC

Rubber Cable Cover

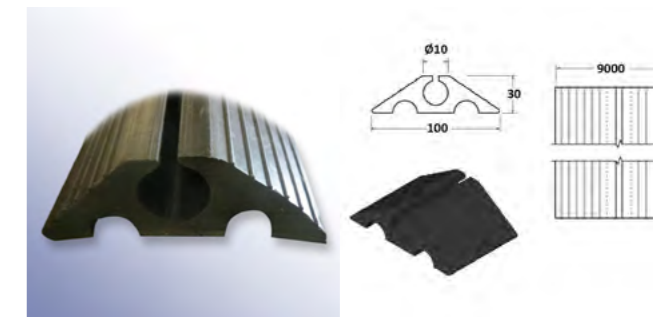
PRODUCT OVERVIEW

This hardwearing, SBR/NR blend, Rubber Cable Cover is perfectly suited for cable protection from light, and occasional heavy goods, vehicles. The convenient open-top design makes it easy to lay cables with minimum effort. Our Rubber Cable Covers are available in two different lengths. Four metre covers, capable of holding hoses or cables up to 40mm in diameter, or, nine metre covers with a slot for 20mm cables or less.

Please note: Not suitable for fork lift trucks with solid tyres.



Product SKU	Size (mm)	Weight (kg)
6008107	4000L x 170W x 55H	20
Material: NR/SBR		



Product SKU	Size (mm)	Weight (kg)
6001601	9000L x 100W x 30H	19
Material: NR/SBR		

Cable Ramp

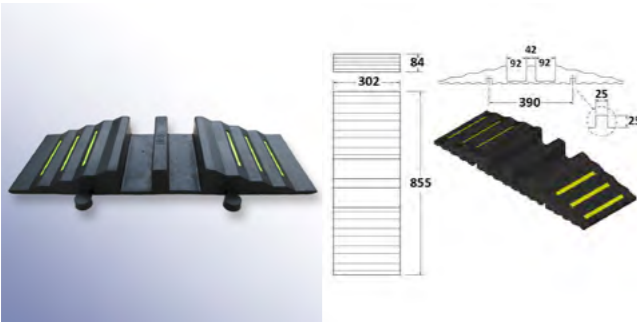
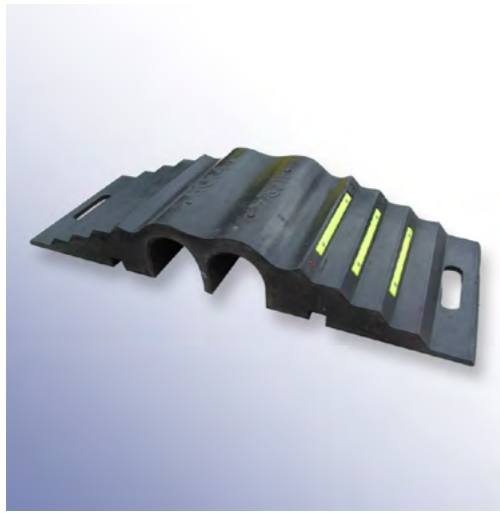
SPECIFICATIONS

- Material: NR/SBR Rubber
- Hardness: 80 ShA
- Density: 1.9 g/cm³
- Temperature Resistance: -20°C to 70°C

PRODUCT OVERVIEW

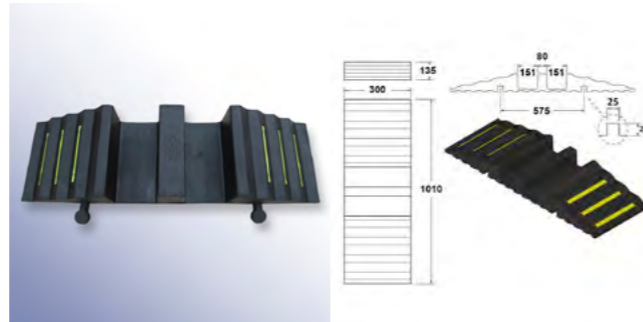
Our selection of Cable Ramps are designed to protect cables and hoses from pedestrian or light road traffic. They form the perfect temporary, or semi-permanent, solution with added high-visibility strips to warn against tripping hazards. The standard closed top variation is suitable for weights up to 20 tonnes, whilst our custom module range is capable of withstanding a maximum load up to 44 tonnes.

These robust, heavy-duty, Cable Ramps are the ideal way to safeguard cables, hoses and pipes across roads or pathways at construction sites, outside and indoor events, and other commercial placements.



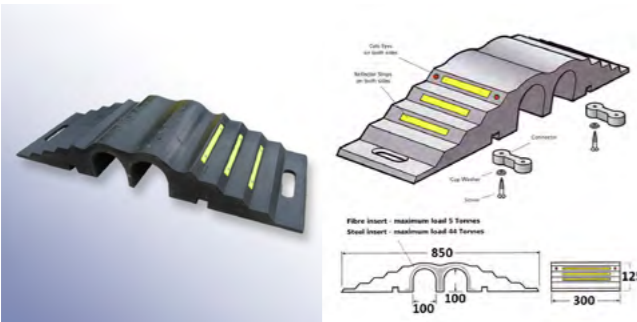
Product SKU	Size (mm)	Weight (kg)
6008400	850L x 300W x 84H	13

Material: NR/SBR | Maximum Load: 20000Kg



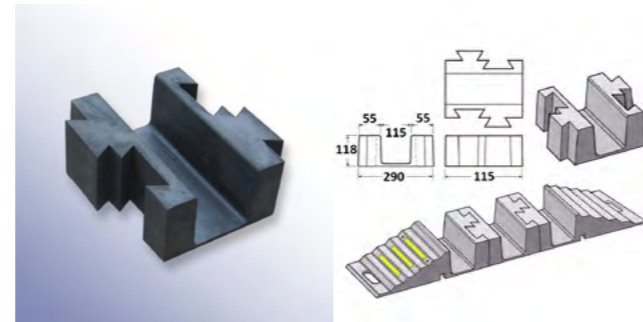
Product SKU	Size (mm)	Weight (kg)
6008402	1010L x 300W x 135H	22

Material: NR/SBR | Maximum Load: 20000Kg



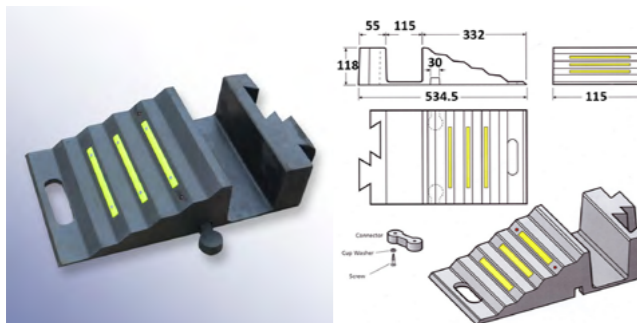
Product SKU	Size (mm)	Weight (kg)
6008403	855L x 300W x 125H	19

Material: NR/SBR | Maximum Load: 20000Kg



Product SKU	Size (mm)	Weight (kg)
1058685	290L x 295W x 118H	5

Material: NR/SBR | Maximum Load: 44000Kg



Product SKU	Size (mm)	Weight (kg)
1058686	535L x 295W x 118H	10

Material: NR/SBR | Maximum Load: 44000Kg

MCP Multi Cable Protector

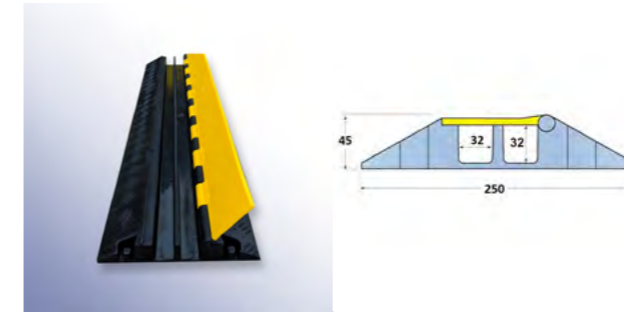
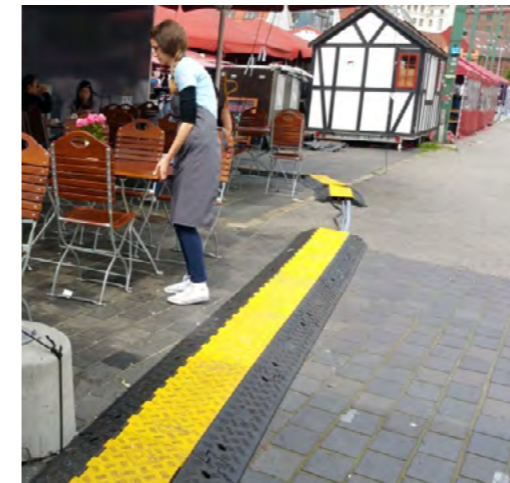
SPECIFICATIONS

- Material: NR/SBR Rubber
- Hardness: 80 ShA
- Density: 1.9 g/cm³
- Temperature Resistance: -20°C to 70°C

PRODUCT OVERVIEW

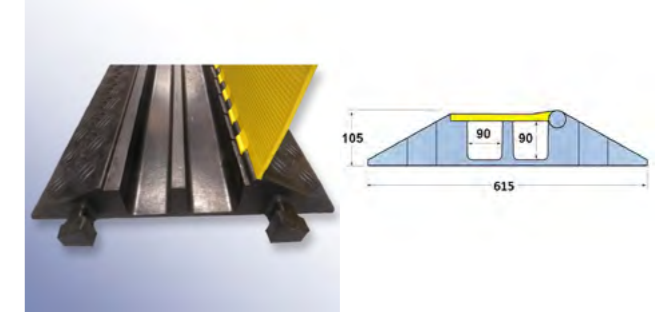
Our ultimate temporary cable management solution is suitable for both indoor and outdoor use. The MCP Multi Cable Protector provides a safe ramp for heavy pedestrian traffic and vehicles 3.1 tonnes and over (check item specific maximum loads for more information).

Complete with a high-visibility, anti-slip yellow cover, designed to prevent tripping hazards and provide maximum grip, the MCP Multi Cable Protector is perfect for safely shielding cables, hoses and pipes in any situation.



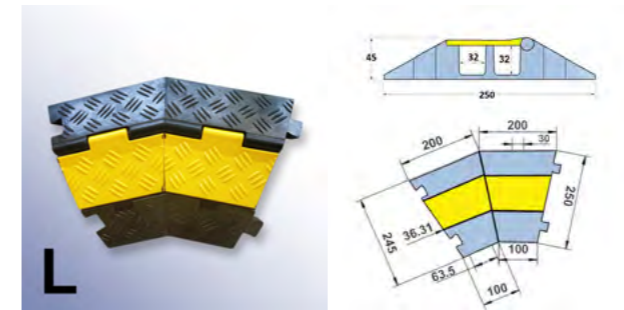
Product SKU	Size (mm)	Weight (kg)
6002200	1000L x 250W x 45H	4

Material: NR/SBR | Maximum Load: 3100Kg



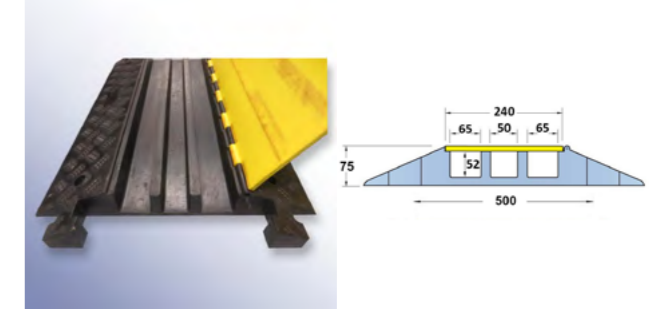
Product SKU	Size (mm)	Weight (kg)
1056311	900L x 615W x 105H	26

Material: NR/SBR | Maximum Load: 6100Kg



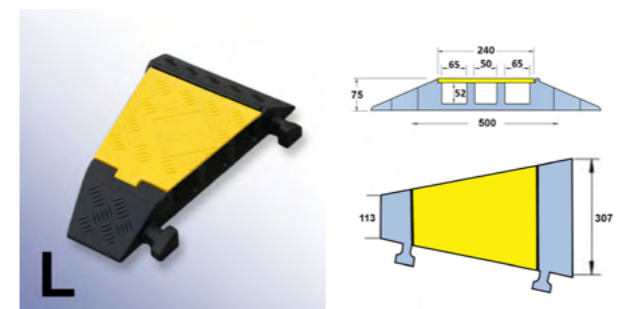
Product SKU	Type	Size (mm)	Weight (kg)
6009755	Left	400L x 250W x 45H	2.5
6009739	Right		

Material: NR/SBR | Maximum Load: 1200Kg



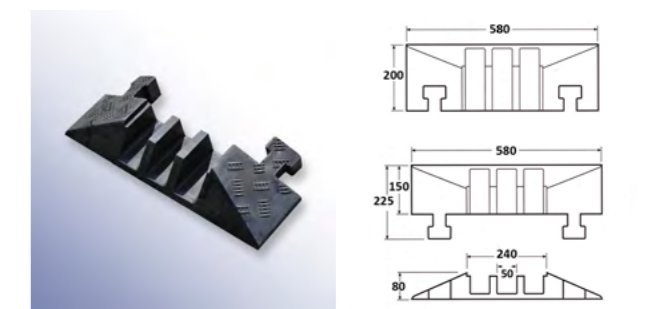
Product SKU	Size (mm)	Weight (kg)
1056307	900L x 500W x 75H	20

Material: NR/SBR | Maximum Load: 2000Kg



Product SKU	Type	Size (mm)	Weight (kg)
1056309	Left	310L x 500W x 75H	5
1056308	Right		

Material: NR/SBR | Maximum Load: 2000Kg

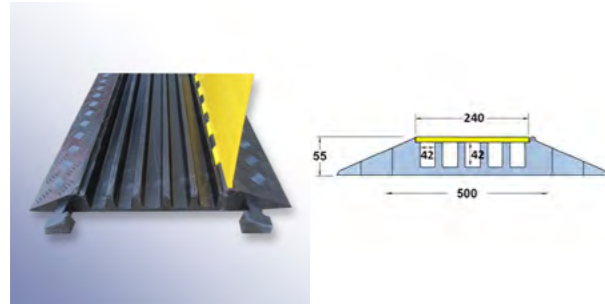


Product SKU	Type	Size (mm)	Weight (kg)
6002203	Male	580L x 150W x 80H	4.2
6002204	Female	580L x 200W x 80H	

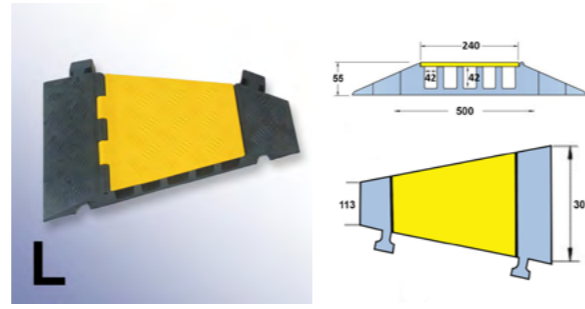
Material: NR/SBR | Maximum Load: 2000Kg

Products continued on next page...

MPC Cable Protectors Continued...



Product SKU	Size (mm)	Weight (kg)
1056310	900L x 500W x 55H	16
Material: NR/SBR Maximum Load: 18000Kg		



Product SKU	Type	Size (mm)	Weight (kg)
1056292	Left	310L x 500W x 55H	4
1056291	Right	310L x 500W x 55H	4
Material: NR/SBR Maximum Load: 1800Kg			

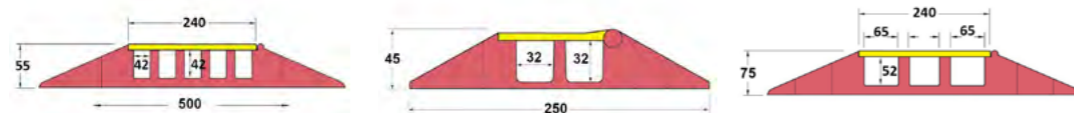
PU Extra Strength Cable Protector

SPECIFICATIONS

- Material: Polyethylene
- Hardness: 95 ShA
- Elongation: 1400%
- Temperature Resistance: -40°C to 65°C

PRODUCT OVERVIEW

If maximum strength and durability is what you're looking for, our PU Extra Strength Cable Protectors fit the bill. These heavy-duty polyethylene cable protectors are suitable for both indoor and outdoor use, providing a safe ramp for heavy pedestrian traffic and vehicles up to 40 tonnes. A brightly coloured red and yellow finish ensures maximum visibility, with an anti-slip surface for supreme grip underfoot.



Product SKU	1058729	1058727	1058728
Size (mm)	1000L x 250W x 45H	900L x 500W x 55H	900L x 615W x 75H
Weight (kg)	5	10	12

Kerb Ramp

SPECIFICATIONS

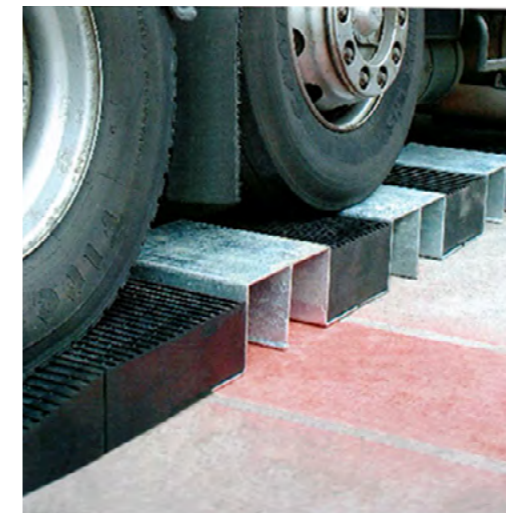
- Material: NR/SBR Rubber
- Hardness: 80 ShA
- Density: 1.9 g/cm³
- Temperature Resistance: -20°C to 70°C

PRODUCT OVERVIEW

This simple, yet effective, ramp can be installed next to any kerb approximately 100mm in height to provide vehicles and wheelchair users access to previously inaccessible raised areas. Our Kerb Ramps are made from a light weight SBR/NR rubber compound to make them easily portable and quickly deployable in any situation; and are moulded with a unique anti-slip pattern for additional grip.



Product SKU	Size (mm)	Weight (kg)
1058692	600L x 230W x 96H	7.3
Material: NR/SBR		



Heavy Duty Cable Protector

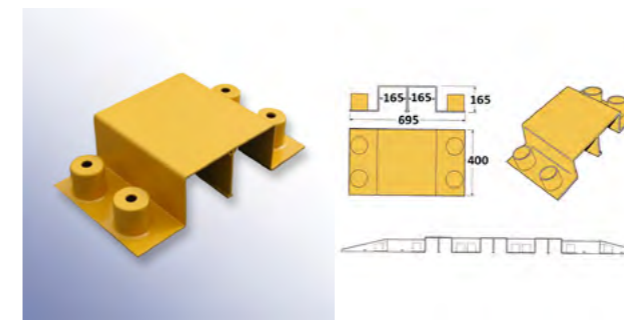
SPECIFICATIONS

- Material: Powder Coated Steel and NR/SBR Rubber
- Maximum Load: 44000Kg
- Number of Channels: 2
- Temperature Resistance: -20°C to 70°C

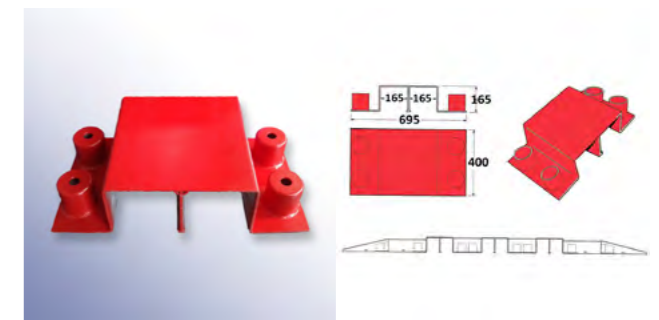
PRODUCT OVERVIEW

This sophisticated, powder coated steel, modular ramp system is designed to protect cables and two hoses up to 170mm and 177mm in diameter. The rubber centre block lets you create a ramp 3400mm long, allowing most vehicles to traverse the ramp without "beaching".

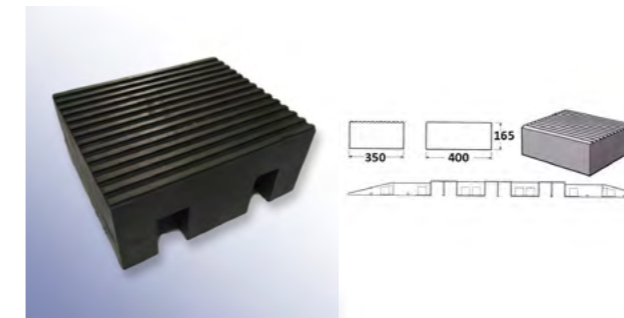
The steel bridges are made using 7mm thick galvanised steel built to withstand a maximum load of up to 44 tonnes. This makes our Heavy Duty Cable Protectors the perfect choice for construction sites and events with a high number of large vehicles on the premises.



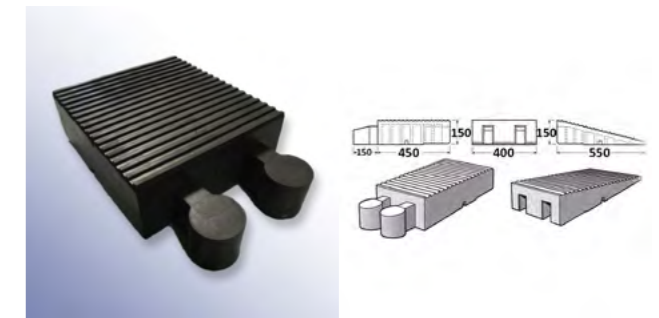
Product SKU	Size (mm)	Weight (kg)
1058684	360L x 400W x 175H	30
Material: Steel Maximum Load: 44000Kg		



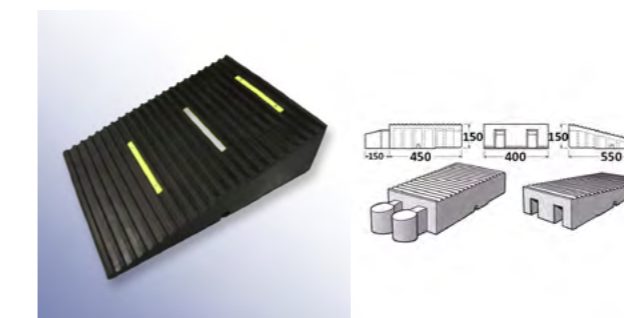
Product SKU	Size (mm)	Weight (kg)
1058683	370L x 400W x 190H	31
Material: Steel Maximum Load: 44000Kg		



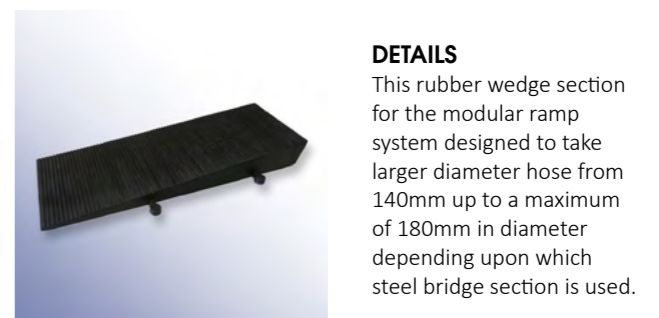
Product SKU	Size (mm)	Weight (kg)
1058707	350L x 400W x 165H	24
Material: NR/SBR Maximum Load: 44000Kg		



Product SKU	Size (mm)	Weight (kg)
6008501	450L x 400W x 160H	34
Material: NR/SBR Maximum Load: 44000Kg		



Product SKU	Size (mm)	Weight (kg)
6008500	540L x 400W x 160H	18
Material: NR/SBR Maximum Load: 44000Kg		



Product SKU	Size (mm)	Weight (kg)
1058697	1200L x 400W x 155H	42
Material: NR/SBR Maximum Load: 44000Kg		

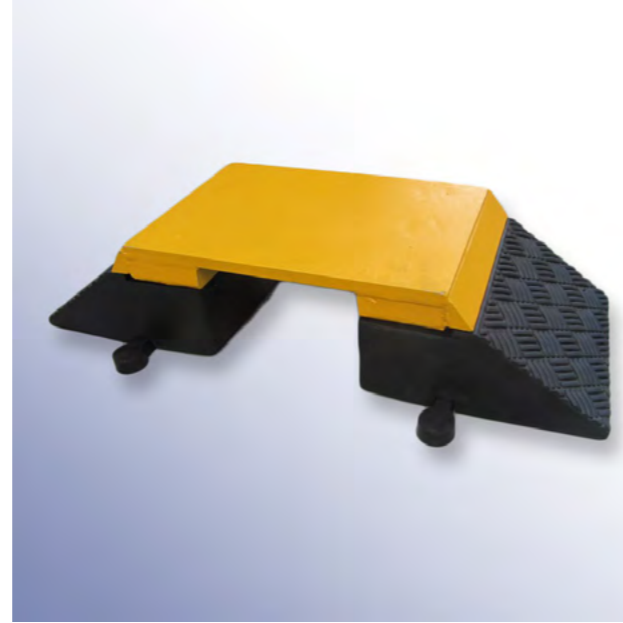
DETAILS

This rubber wedge section for the modular ramp system designed to take larger diameter hose from 140mm up to a maximum of 180mm in diameter depending upon which steel bridge section is used.

HGV Outdoor Cable Protector

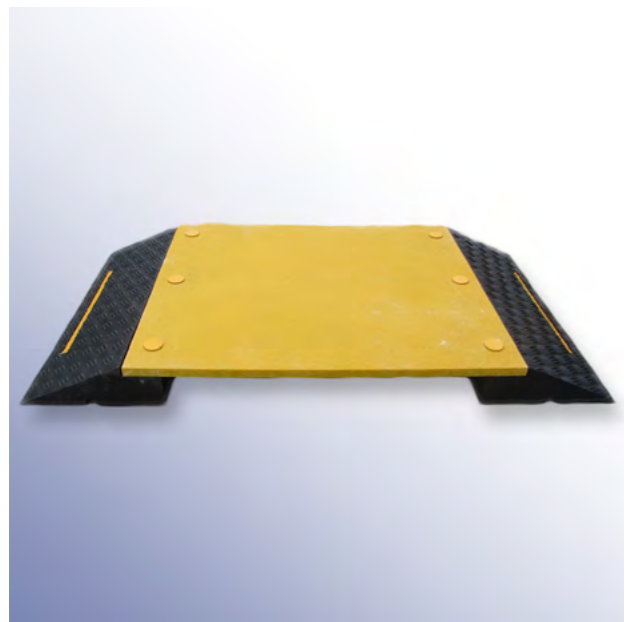
PRODUCT OVERVIEW

Our HGV Outdoor Cable Protectors are our strongest cable ramps in the range, independently tested for vehicles up to 80 tonnes. Featuring a single steel-topped channel, and available in two sizes, the smaller of which is suitable for cables and hoses up to 105mm in diameter, with the larger yellow-topped design able to contain cables and hoses up to 150mm.



Product SKU	Size (mm)	Weight (kg)
1058690	810L x 290W x 120H	32
Material: NR/SBR Maximum Load: 80000Kg		

Product SKU	Size (mm)	Weight (kg)
1058691	820L x 290W x 165H	58
Material: NR/SBR Maximum Load: 80000Kg		



Anti-Slip Pedestrian Ramp

SPECIFICATIONS

- Material: NR/SBR Rubber with GRP Top
- Channel Width: 800mm | Height: 100mm
- Maximum Load: 250Kg
- Temperature Resistance: -20°C to 70°C

PRODUCT OVERVIEW

The Polymax Anti-Slip Pedestrian Ramp allows safe passage for large crowds across multiple hoses and cables. Featuring a high-visibility strip on both ramps for extra clarity in low-light areas, and a bright yellow anti-slip gritted surface to prevent against potential tripping hazards, these ramps are ideal for both outdoor and indoor events, or busy commercial sites.

The inner channel has a bridge distance of 800mm and a gap height of 100mm. Each unit is delivered fully-assembled and can be easily joined to additional units using the connectors at the side of the product.

Product SKU	Size (mm)	Weight (kg)
1058687	1560L x 880W x 125H	46
Material: NR/SBR Maximum Load: 250Kg		

Hi-Vis Yellow Safety Walkway Matting



Roll Dimensions: 1 or 2m Wide x 2mm Thick

Product SKU: **1055238** | 1M Wide

Product SKU: **1055206** | 2M Wide



PRODUCT OVERVIEW

Our Chek PRO, slip resistant and flexible floor covering is available in 2mm thickness and 1m wide rolls, with a special R12 slip resistant embossing which provides excellent safety properties. It is compliant with the EN 649 norm (34 / 43) and suitable for transport and most commercial and industrial areas. It is an adapted solution for medium traffic applications where enhanced slip resistance, durability, hygiene and easy maintenance are required.

description
performance

Characteristics	Standards	Units	
Description			Safety and anti-slip flooring
General performance	BS EN ISO 10874 : 2012	Class	2.00 : 34 / 43
	BS EN 649 : 2011	Group	P
Usage			Medium to heavy foot traffic
Special treatment			Easy maintenance
Overall thickness	EN 428	mm	2.00
Thickness of wear layer	EN 429, ASTM F410	mm	2.00
Weight	EN 430	g/m ²	2.00 mm : 3500
Roll size	EN 426	m (width)	2
		m (length)	10
		m ² (surface area)	20
Abrasion resistance	EN 660 - 2	Group	P
	EN 660 - 2	Volume loss mm ³	< 4
	ASTM D3389 (Weight loss / 1000 cycles)	g	< 0.40
Residual indentation	EN 433	mm	- 0.04 (≤ 0.10)
	ASTM F970 (static load)	psi	800
	ASTM F1914	inches	Avg. 0.001
Slip resistance	DIN 51130		R 12
	BS 7976 - 2 (pendulum method)		Low slip potential
Dimensional stability	EN 13893	Coefficient of friction	DS (> 0.30)
	ASTM D2047		Pass (0.70 avg)
Flexibility	EN 434	%	≤ 0.40
Castor chair test	EN 435	mm	< 20
	ASTM F137		Pass
Sound insulation	EN 425	Type of use	Continuous
Reaction to fire	EN ISO 717 - 2	ΔLw = dB	4
	EN ISO 9239 - 1 : 2010	kW/m ²	≥ 8
	EN ISO 11925-2 : 2010		Pass
	EN 13501 - 1 : 2007+A1 : 2009	Class	Bfl - S1
Static electrical propensity	ASTM E648-06	Type	1
	EN 1815	kV	< 2.0
Electrical resistance	EN 1081	Ω	10 ¹⁰
Thermal resistance	ISO 8302 (EN 12664)	k/W m ²	< 0.00568
	ASTM 1514		Pass
Smoke density	ASTM E 662 - 05	Dm	< 450
Colour fastness to light	EN ISO 105 - B02	Degrees	≥ 6
Walking resonance	NF XPS 31 074		NA
Stain & chemical resistance	BS EN ISO 26987 : 2012	Index	0 (Excellent resistance)
	ASTM F925		Pass
Fungi & bacteria resistance	(E1) PCP	%	NA
	ASTM G - 21		Does not favour growth
	ASTM D3273		Pass
Clean rooms	ASTM F51/68	Class	NA
Maritime usage	IMO RES A 653 (16)		Annex 1 part 2 (Smoke & Toxicity)
	IMO MSC 61 (67)		Part 5 (Spread of Flame) and Annexure 2 (Surface Flammability / Heat Release)
	US Coast Guard approved		
	Marine Equipment Directive		1121

1, 1.5, 2.5 and 3mm thicknesses available on special order.

*NA - Not applicable

ISO 14001, 2004
ISO 18001, 2013





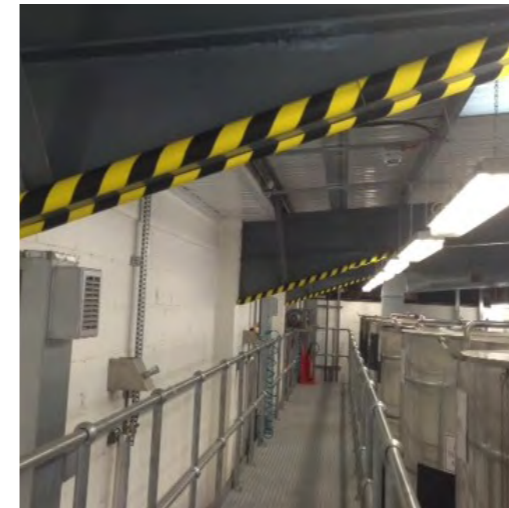
High-Visibility Protection

If you can see it, you can prevent it with our high-visibility tapes and bumpers.

Warn against, and help prevent, the risk of accidents in low-light areas with high-visibility protection that keeps pedestrians, vehicles and building work safe. From durable edge protectors and wall guards to industrial strength reflective non-slip tapes, we've got long-lasting solutions designed to help you highlight hazards, and lower the chance of injury or accident, both at home and on site.

In this section you'll discover our complete collection of:

- Edge and Corner Protectors
- Wall Guards
- Anti-Slip Tapes



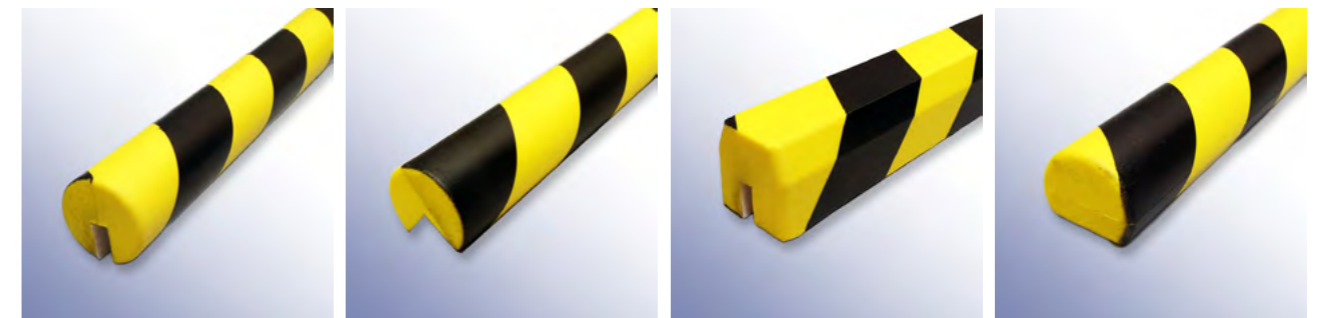
Foam Edge Protectors

SPECIFICATIONS

- Material: PU or EVA
- Colour: Black and Yellow Chevron
- Temperature Resistance: -20°C to 70°C

PRODUCT OVERVIEW

Our Foam Edge Protectors make the perfect guard for walls, edges, pipes, machinery and many other areas. The strong polyethylene foam helps protect edges from taking damage; whilst the clearly-visible chevron design warns pedestrians, or workers, of potential hazards, helping prevent accidents and injury. Each of our Foam Edge Protectors is self-adhesive for quick and easy application on any clean, dry and smooth surface such as wood, concrete, steel or plaster.



SKU	6009732	SKU	6009733	SKU	6009734	SKU	6009735
Size (mm)	1000L x 40D	Size (mm)	1000L x 40D	Size (mm)	1000L x 40W x 38H	Size (mm)	1000L x 40W x 32H
Material	Polyurethane	Material	Polyurethane	Material	Polyurethane	Material	Polyurethane



SKU	6009736	SKU	1058700	SKU	1058701	SKU	1058704
Size (mm)	1000L x 60W x 20H	Size (mm)	500L x 250W x 25H	Size (mm)	500L x 200W x 20H	Size (mm)	500L x 100W x 10H
Material	Polyurethane	Material	EVA Foam	Material	EVA Foam	Material	EVA Foam



Hazard Tape Medium Coarse

PRODUCT OVERVIEW

This industrial strength anti-slip Hazard Tape reduces the risk of slipping or skidding in oily, greasy or wet conditions. Available in a variety of colour options, including a high-visibility chevron design, the tape can be applied to areas such as stairs, ramps and walkways to help prevent the risk of accident or injury to pedestrian traffic.

Please note: We highly recommend sealing the edges using our 'Polymax Edge Fix' adhesive to extend the life of the product. All our anti-slip tapes are manufactured in the UK.



SKU	1055266
Size	50mm x 18.3m



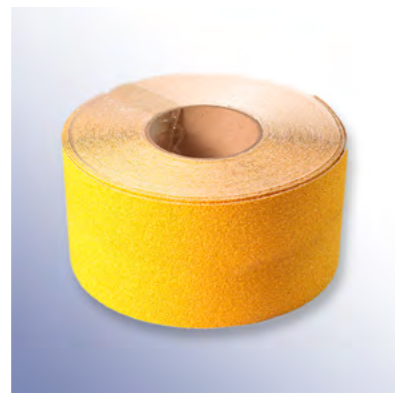
SKU	1055267
Size	50mm x 18.3m



SKU	1055268
Size	50mm x 18.3m



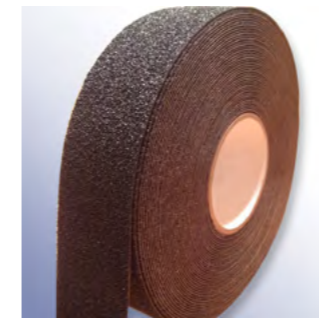
SKU	1055269
Size	100mm x 18.3m



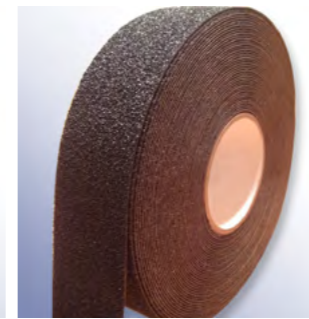
SKU	1055270
Size	100mm x 18.3m



SKU	1055271
Size	100mm x 18.3m



SKU	1055272
Size	50mm x 18.3m



SKU	1055273
Size	100mm x 18.3m

Anti Slip Tape Extra Coarse

PRODUCT OVERVIEW

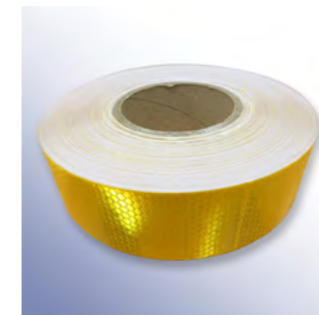
Our extra coarse, industrial strength Anti-Slip Tape is the most effective way to reduce the risk from slipping or skidding in heavy duty industrial areas. The additional grip makes it ideal for use in snowy, icy and muddy conditions.

Please note: We highly recommend sealing the edges using our 'Polymax Edge Fix' adhesive to extend the life of the product. All our anti-slip tapes are manufactured in the UK.

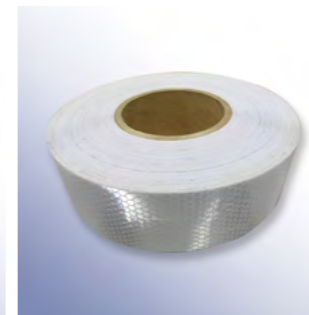
Reflective Tape 45 Metres

PRODUCT OVERVIEW

These high-visibility reflective tapes are available in 45 metre rolls and suitable for use on any dry and clean surface to help warn about hazardous areas, highlight objects and pathways, or direct traffic. The hexagonal design of the tape is highly effective at reflecting both natural and artificial light, including vehicle headlights and torch beams. Our Reflective Tape comes in both yellow and silver, and is available in widths of 25mm or 50mm.



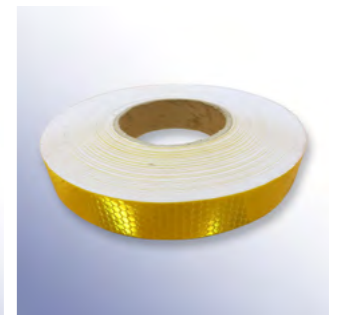
SKU	1058253
Size	50mm x 45m



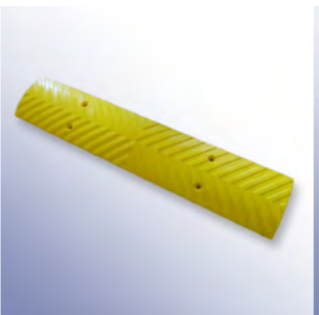
SKU	1058254
Size	50mm x 45m



SKU	1058657
Size	25mm x 45m



SKU	1058658
Size	25mm x 45m



Chevron Wall Guard

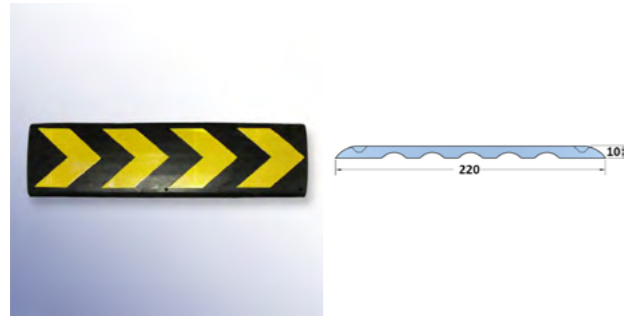
PRODUCT OVERVIEW

These tough polyethylene Chevron Wall Guards can be easily fixed to any surface that requires robust protection from vehicles, forklifts or heavy goods trolleys. Ideal for use in garages, car parks, workshops, and stores for domestic, commercial or industrial applications.

Our Chevron Wall Guards are available in a vivid yellow for increased visibility, or black for more discreet protection.

Please note: When fitting, use four M6 x 87mm fixings to create a secure hold.

Product SKU	Colour	Size (mm)	Weight (kg)
6002210	Yellow	500L x 100W x 15H	4.55
6002211	Black		
Material: Polyurethane			

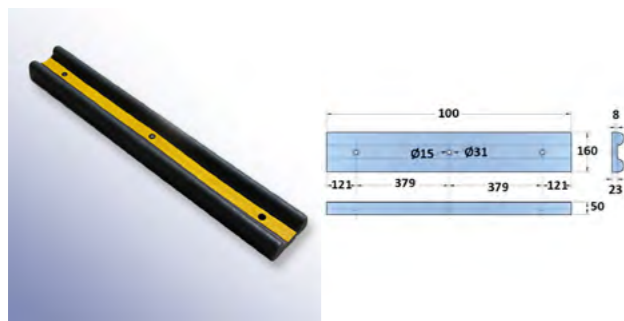


Reflective Chevron Wall Guard

PRODUCT OVERVIEW

Ideal for use in car parks, warehouses, loading bays and other commercial or industrial traffic areas; this large Reflective Chevron Wall Guard is designed to protect surfaces against impact from vehicles, as well as help direct traffic to follow a specific route around the premises.

Product SKU	Size (mm)	Weight (kg)
6002101	800L x 220W x 10H	5.25
Material: NR/SBR		



Double D Wall Guards

PRODUCT OVERVIEW

The Polymax Double-D Wall Guard is made from a durable SBR/NR rigid rubber and features a high-visibility yellow strip to help warn against potential hazards. These robust and durable profiles can be used on both internal and external installations. Suitable for use in private garages, car parks, workshops and stores for domestic, commercial or industrial applications.

Product SKU	Size (mm)	Weight (kg)
6002100	1000L x 150W x 55H	10.45
Material: NR/SBR		

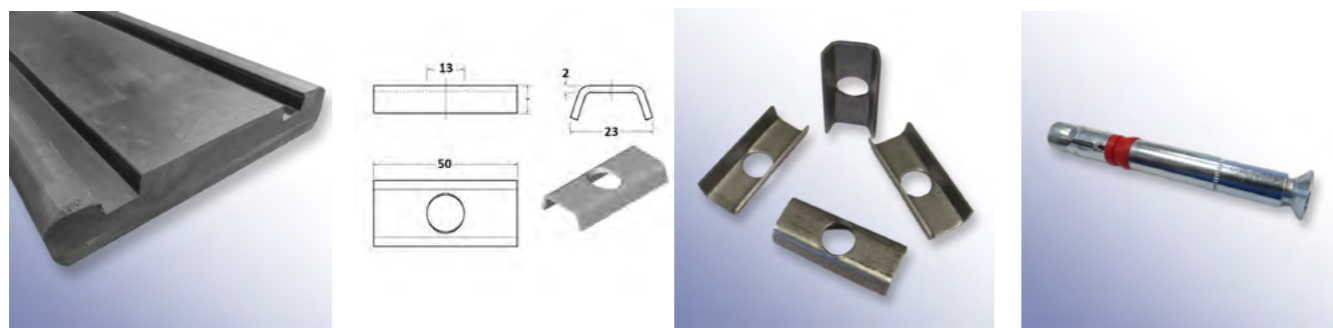
Please note: When fitting, use three M12 x 100mm fixings to create a secure hold.

Extruded Wall Protector

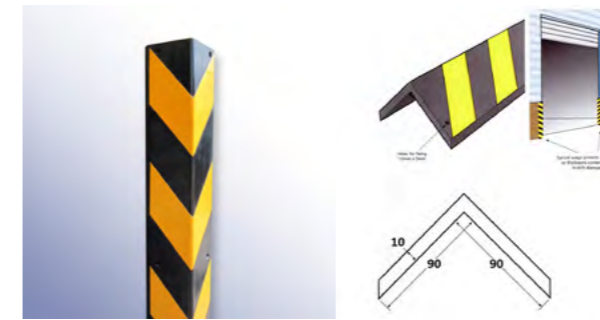
PRODUCT OVERVIEW

The additional thickness of our Extruded Wall Protectors makes them ideal to shield surfaces against impact from heavy duty vehicles. Made from a 40mm thick, hardwearing SBR/NR rubber blend they are perfectly suited for use in warehouses, loading bays and other industrial or commercial sites where there is high risk of heavy impact.

Please note: When fitting, use the stainless steel fixings (6010924) and stainless steel screws (6010925), which we recommend spacing every 300mm.



SKU	6010923	Product SKU	Size (mm)	Weight (kg)	SKU	6010925
Size (mm)	3000L x 200W x 40H	6010924	50L x 23W x 9H	0.2	Size (mm)	95L x M8
			Material: Stainless Steel			



Product SKU	Size (mm)	Weight (kg)
1058252	800L x 98W x 98H	1.5
Material: NR/SBR		

Reflective Corner Protectors

PRODUCT OVERVIEW

The purpose-built shape and design of our Reflective Corner Protectors makes it easy to fit to any 90-degree angle surface or doorway. With a honeycomb reflective tape to help improve visibility, our Corner Protectors will keep your passages, doorways and garage openings safe from vehicle impact, whilst warning traffic of potential hazards. Great for use in car parks, warehouses, loading bays and other commercial or industrial traffic areas.

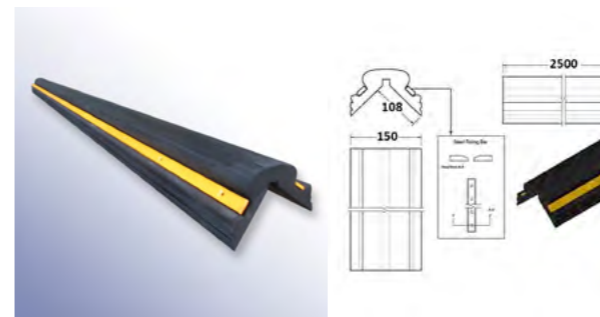


Product SKU	Size (mm)	Weight (kg)
6008099	800L x 115W x 115H	2.6
Material: NR/SBR		

Bull Nose Corner Fenders

PRODUCT OVERVIEW

This mid-weight Bull Nose Corner Fender has additional reinforcement along the outside edge for greater protection against heavy duty vehicles. Made with the same highly-reflective tape as our standard Corner Protectors, this sturdier alternative provides the perfect safeguard for edges and corners at sites with a large amount of commercial and industrial traffic.



Product SKU	Size (mm)	Weight (kg)
6008101	1220L x 108W x 108H	12.73
Material: NR/SBR		

Cruise Corner Fenders

PRODUCT OVERVIEW

Our Cruise Corner Fenders offer reliable protection against regular impact, with an additional high-visibility strip to help prevent collisions. Made from a highly-durable blend of SBR/ NR rubber, it is our most resilient corner protector; perfect for protecting brick work or doorways in warehouses and loading bays where there is regular forklift traffic. It comes with two yellow powder coated metal strips to help safeguard against further collisions.



Product SKU	Size (mm)	Weight (kg)
1058447	150L x 120W x 455H	7
Material: NR/SBR		

Racking Corner Protectors

PRODUCT OVERVIEW

The economical and solidly built design saves racking uprights from being damaged at the base by forklift trucks or other vehicles. Ideal for use in warehouses or storage areas to protect racking from accidental impact, as it is always quicker and easier to replace racking protectors than the racking uprights themselves.



HGV Protection and Wheel Chocks

Prevent accidental rolling and movement of vehicles with our huge range of wheel chocks.

Whether you are looking to chock a car, caravan, airplane or HGV we have the style and size to suit your needs. Our collection of wheel chocks, accessories and stainless-steel holders are specifically designed to safely secure any vehicle in place, up to 44 tonnes.

In this section you'll discover our complete collection of:

- Wheel Guides
- Trailer Plates
- Wheel Chocks and Fixings

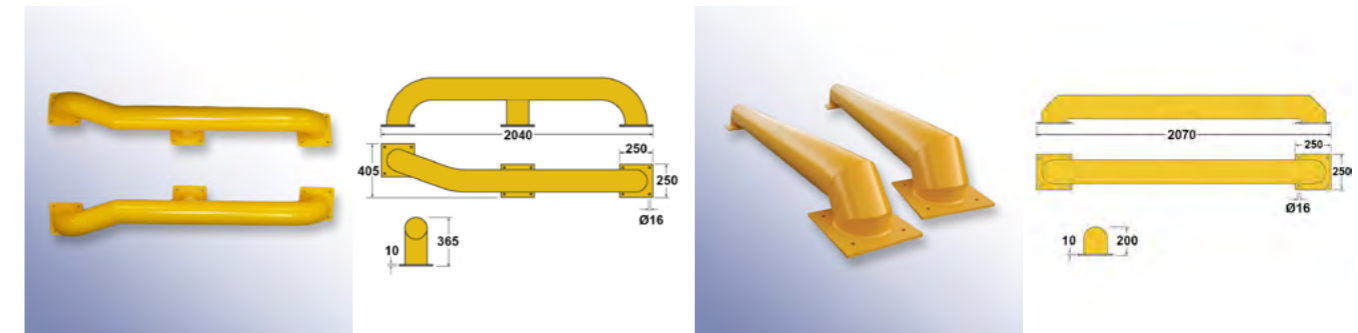
Safety Notice - It's important to only select the appropriate wheel chock according to the type and size of your vehicle. Wheel chocks should be used in pairs and applied only when the vehicle has come to a complete standstill. It is paramount the end user tests the product and ensures it is suitable for the application required.

Wheel Guides for Truck Loading Bays

PRODUCT OVERVIEW

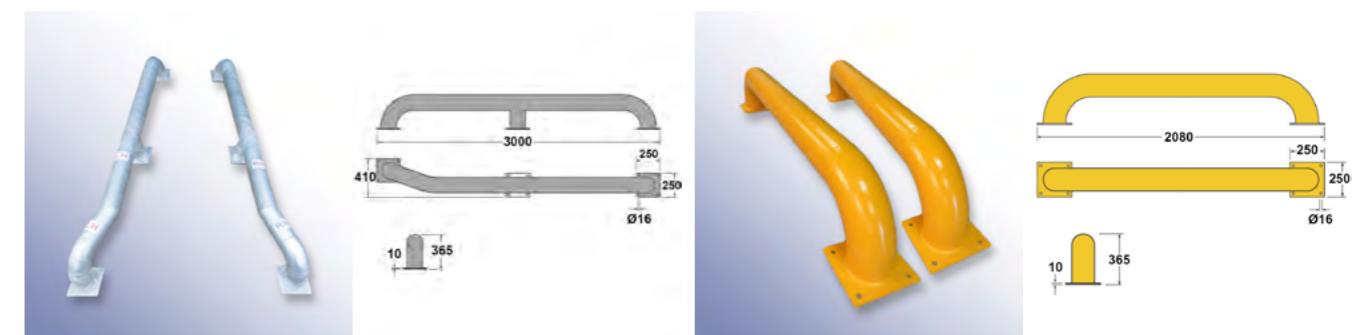
Wheel Guides help HGV drivers line up their vehicles when backing up into parking spaces or loading bays. They act as a barrier whilst gently manoeuvring the vehicle into the correct position. All our Wheel Guides are made with 5mm thick steel, with the majority coated in a high-visibility yellow powder paint. They can be securely bolted to solid ground or flooring using standard M16 fixings or inserted into softer ground with additional extensions (sold separately).

Please note: All Polymax Wheel Guides are sold as pairs.



Product SKU	Size (mm)	Weight (kg)
4000017	2070L x 405W x 365H	90

Product SKU	Size (mm)	Weight (kg)
4000015	2070L x 250W x 200H	78



Product SKU	Size (mm)	Weight (kg)
4000020	3000L x 600W x 365H	150

Product SKU	Size (mm)	Weight (kg)
6010920	2085L x 250W x 365H	90



Trailer Plates

PRODUCT OVERVIEW

Our range of Trailer Plates provide a secure surface to rest unmounted lorry trailers that are not attached to a truck cabin. Installing Trailer Plates helps prevent the trailer's landing legs from causing damage to the forecourt or loading bay floor. We offer two versions of Trailer Plates, both capable of withstanding loads up to 30 tonnes:

- Durable Tyre Cord Hi-Fibre rubber Trailer plates and;
- High-visibility UHMWP (ultra-high molecular weight polyethylene)

SKU	6001211	SKU	6010898
Size (mm)	1000L x 1000W x 25H	Size (mm)	1000L x 1000W x 20H

Please note: When fitting, both plates come with 16 x M12 large plated washers. Use the M12 screws for either tarmac or concrete.

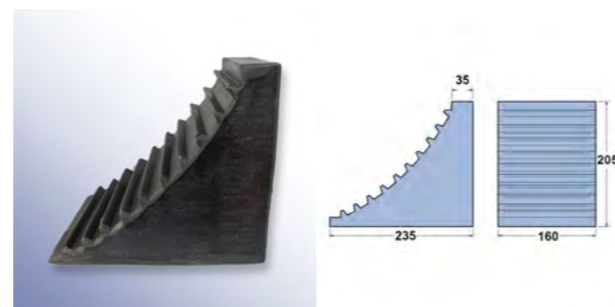
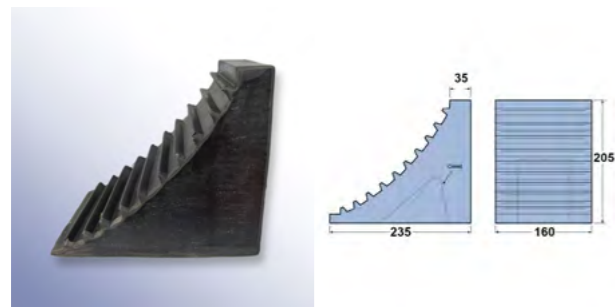
Standard Wheel Chocks

SPECIFICATIONS

- Material: NR/SBR Rubber
- Hardness: 80 ShA
- Density: 1.9 g/cm³
- Temperature Resistance: -20°C to 70°C

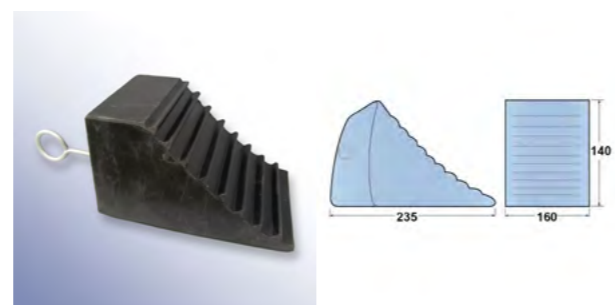
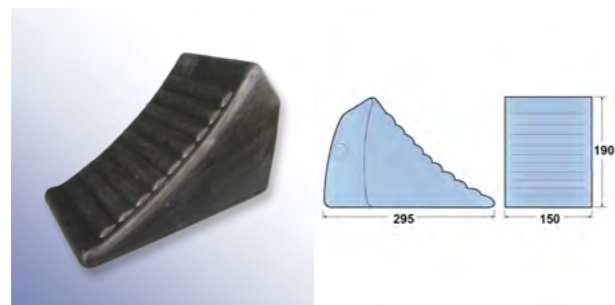
PRODUCT OVERVIEW

Our collection of long-lasting rubber Wheel Chocks are made entirely from a hardwearing blend of SBR/NR rubber. They offer a more durable solution to plastic alternatives, making them the ideal long-term option to prevent the accidental movement of everything from caravans to HGVs. Each chock comes with either an eye bolt, handle or rope to help make handling a breeze.



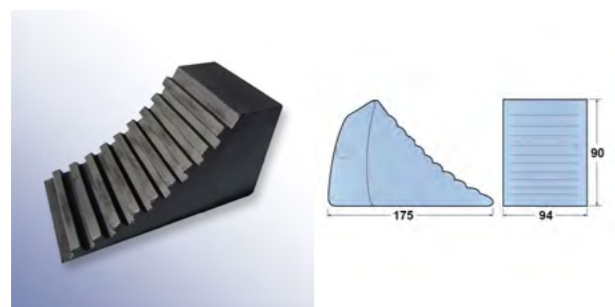
Product SKU	Size (mm)	Weight (kg)
6008800	235L x 205W x 160H	3.6
Material: NR/SBR Maximum Load: 44 Tonnes		

Product SKU	Size (mm)	Weight (kg)
6008801	235L x 205W x 160H	5.2
Material: NR/SBR Maximum Load: 44 Tonnes		



Product SKU	Size (mm)	Weight (kg)
6008807	295L x 150W x 190H	4.25
Material: NR/SBR Maximum Load: 10 Tonnes		

Product SKU	Size (mm)	Weight (kg)
1058666	235L x 160W x 140H	3.5
Material: NR/SBR Maximum Load: 44 Tonnes		



Product SKU	Size (mm)	Weight (kg)
6009681	175L x 94W x 90H	0.66
Material: NR/SBR Maximum Load: 1 Tonne		

Product SKU	Size (mm)	Weight (kg)
6010930	254L x 185W x 200H	4.4
Material: NR/SBR Maximum Load: 44 Tonnes		

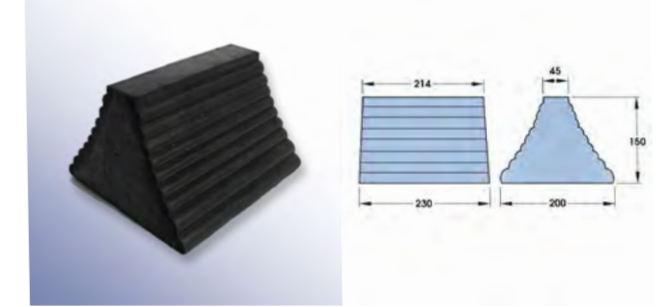
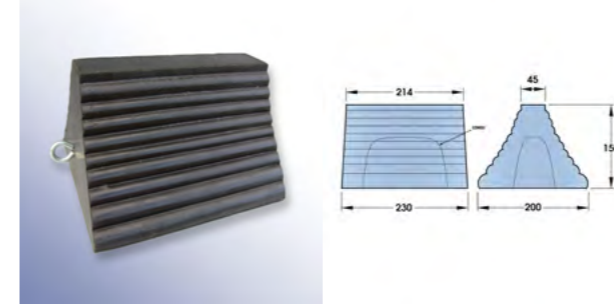
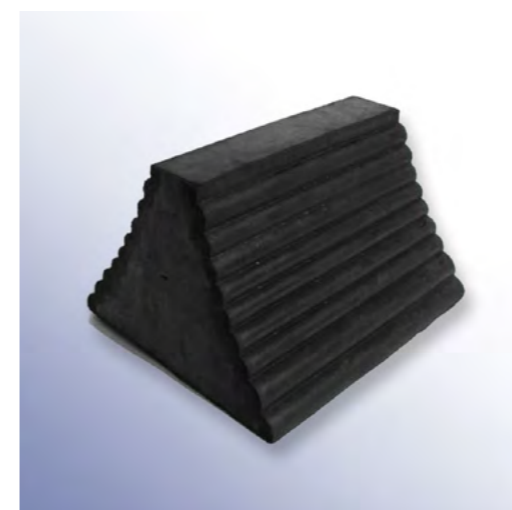
Pyramid Wheel Chocks

SPECIFICATIONS

- Material: NR/SBR Rubber
- Hardness: 80 ShA
- Density: 1.9 g/cm³
- Temperature Resistance: -20°C to 70°C

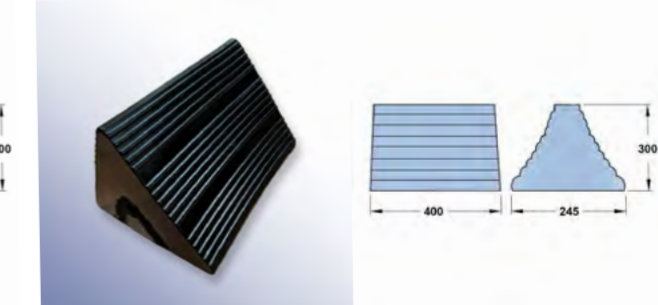
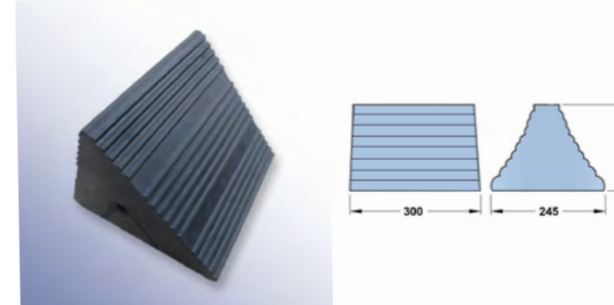
PRODUCT OVERVIEW

Our double-sided Pyramid Wheel Chocks are the perfect solution for securing vehicles over 40 tonnes. The enhanced grip safely prevents the accidental movement of heavy-duty vehicles, with longer chocks providing suitable protection for vehicles with wider diameter tyres, such as trucks, dumpers and diggers.



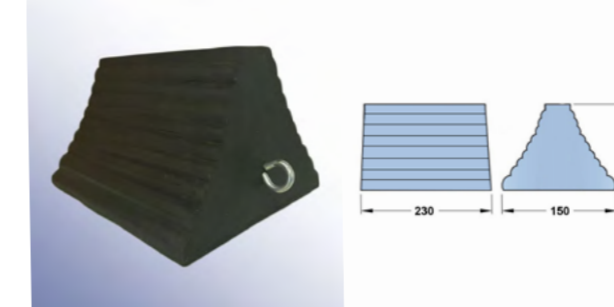
Product SKU	Size (mm)	Weight (kg)
6009502	230L x 150W x 200H	3.5
Material: NR/SBR Maximum Load: 44 Tonnes		

Product SKU	Size (mm)	Weight (kg)
6009503	230L x 150W x 200H	4.5
Material: NR/SBR Maximum Load: 44 Tonnes		



Product SKU	Size (mm)	Weight (kg)
1058662	300L x 245W x 300H	16
Material: NR/SBR Maximum Load: 40 Tonnes		

Product SKU	Size (mm)	Weight (kg)
1058663	400L x 245W x 300H	22
Material: NR/SBR Maximum Load: 40 Tonnes		

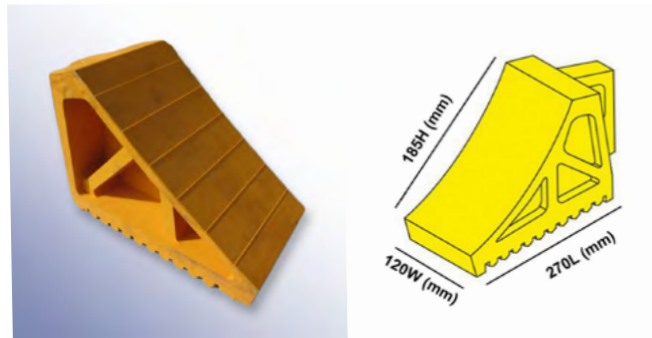


Product SKU	Size (mm)	Weight (kg)
6009756	230L x 150W x 200H	5.2
Material: NR/SBR Maximum Load: 44 Tonnes		

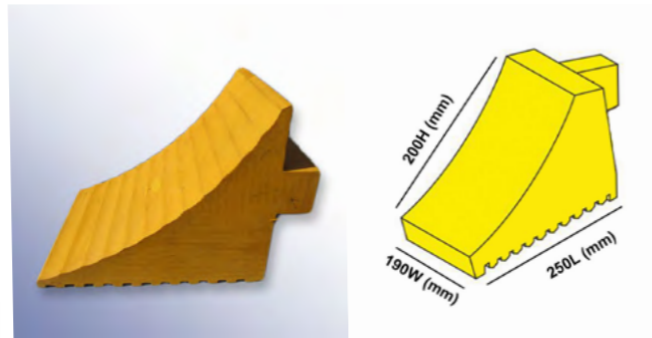
Yellow Wheel Chocks

PRODUCT OVERVIEW

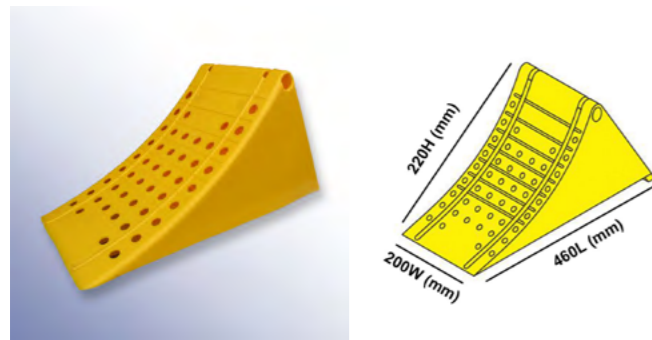
Our yellow HGV Wheel Chocks are made entirely out of a yellow rubber compound to prevent fade and wear and tear from reducing visibility over time. Each Yellow Wheel Chock also comes equipped with a moulded handle at the back of the chock making it easier to lift and use.



Product SKU	Size (mm)	Weight (kg)
6009684	270L x 120W x 185H	3
Material: NR/SBR Maximum Load: 10 Tonnes		



Product SKU	Size (mm)	Weight (kg)
6010929	250L x 190W x 200H	6
Material: NR/SBR Maximum Load: 44 Tonnes		



Product SKU	Size (mm)	Weight (kg)
1058665	460L x 200W x 200H	2
Material: Polyethylene Maximum Load: 44 Tonnes		

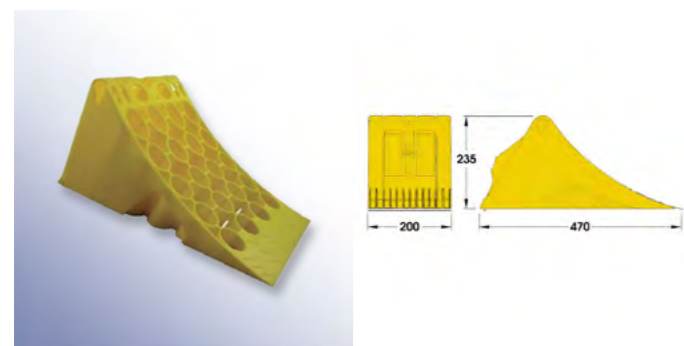
Wheel Chocks: DIN 76051-TUV Approved

SPECIFICATIONS

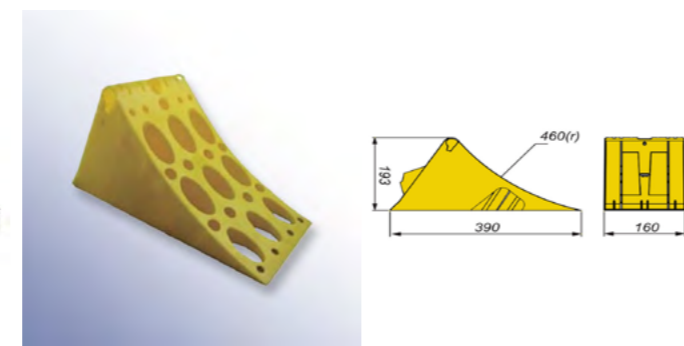
- Material: PP or PE
- Temperature Resistance: -20°C to 70°C

PRODUCT OVERVIEW

These DIN approved Wheel Chocks offer greater visibility, and are stronger and more lightweight than their standard rubber counterparts. Made from either polypropylene or polyethylene, each of these Wheel Chocks have a corresponding bracket which can be installed on a wall or inside the vehicle for convenient storage when not in use.



Product SKU	Size (mm)	Weight (kg)
1001012	470L x 200W x 235H	1.4
Material: Polypropylene Maximum Load: 6.5 Tonnes		

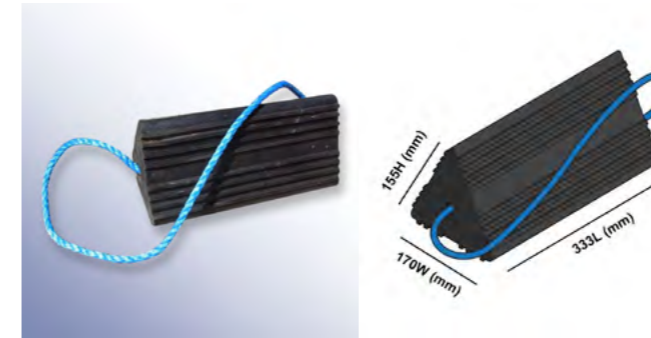


Product SKU	Size (mm)	Weight (kg)
1001711	390L x 193W x 160H	0.84
Material: Polypropylene Maximum Load: 6.5 Tonnes		

Aircraft Wheel Chocks

PRODUCT OVERVIEW

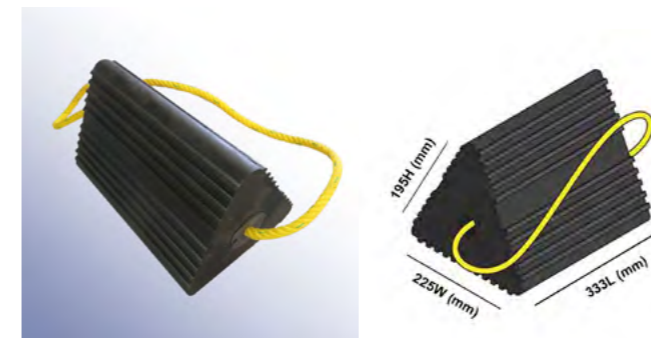
Made from a hardwearing blend of NR/SBR rubber, this is a very popular design for use with private and commercial aircraft. Each Aircraft Wheel Chock is fitted with a double-sided rope to make it easy to safely pull the chock from the aircraft by hand. It is vitally important to adhere to the airline specific guidelines regarding the length and size of the wheel chock required for each aircraft type.



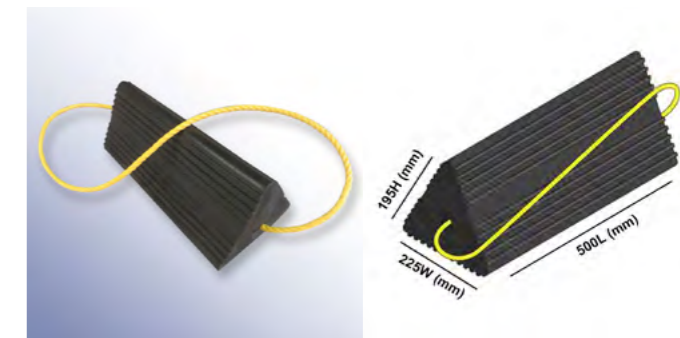
Product SKU	Size (mm)	Weight (kg)
1058246	333L x 155W x 170H	9
Material: NR/SBR		



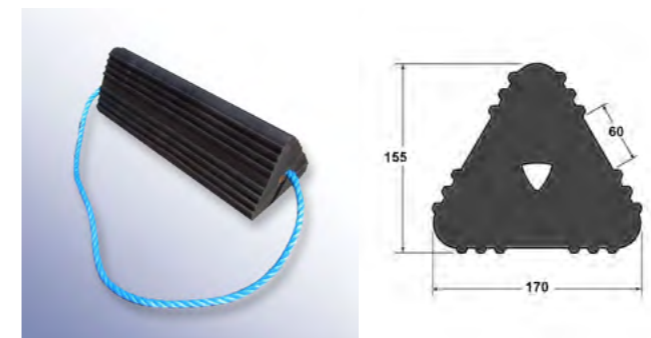
Product SKU	Size (mm)	Weight (kg)
1058261	250L x 225W x 195H	11
Material: NR/SBR		



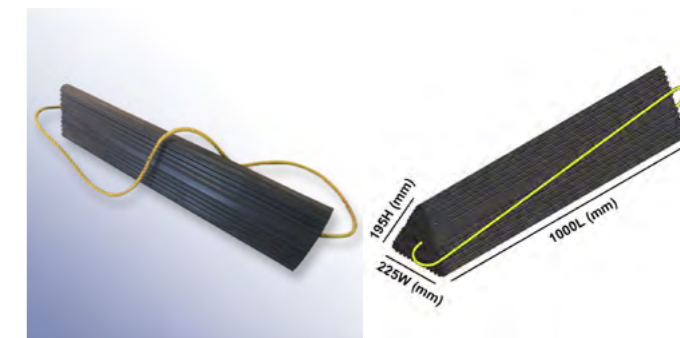
Product SKU	Size (mm)	Weight (kg)
1058249	333L x 225W x 195H	14
Material: NR/SBR		



Product SKU	Size (mm)	Weight (kg)
1058250	500L x 225W x 195H	21
Material: NR/SBR		



Product SKU	Size (mm)	Weight (kg)
1058247	500L x 155W x 170H	13
1058248	1000L x 155W x 170H	26
Material: NR/SBR		



Product SKU	Size (mm)	Weight (kg)
1058251	1000L x 225W x 195H	42
Material: NR/SBR		

Wheel Chock Fixings

PRODUCT OVERVIEW

We provide a range of additional Wheel Chock Fixings to help safely secure wheel chocks in place and prevent accidental movement, including holding eyebolt pins, steel handles and galvanised steel chains. If you're unsure as to what fixing is best suited to your wheel chocks, or if you have any questions, please feel free to contact a member of our sales team on 01420 474123 for more information.



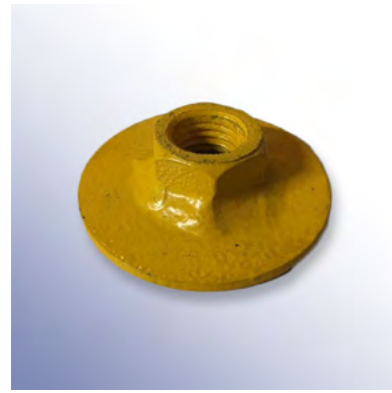
SKU	1058670
Size (mm)	90L x 45mm
To Suit	1058666, 6009503, 6008801, 6008800



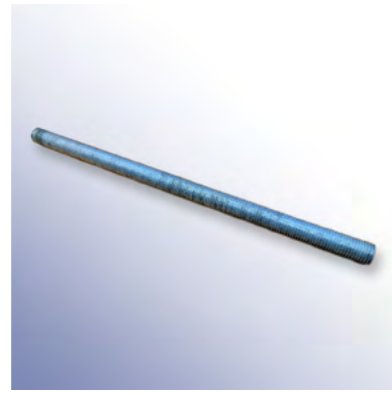
SKU	1058669
Size (mm)	200L x 49mm
To Suit	1058666



SKU	6008806
Size	3 Metres
To Suit	All Wheel Chocks



SKU	1058668
Size	M16 X 50mm
To Suit	1058662, 1058663, All Aircraft Chocks



SKU	1058672
Size (mm)	430L
To Suit	To secure the M16 Yellow handle and nut



SKU	1058671
Size (mm)	125L x 72W x 82H
To Suit	1058662, 1058663, All Aircraft Chocks



Wheel Chock Holders

SPECIFICATIONS

- Material: Steel or Polypropylene/NR
- Applicable products: 1001012, 1001711 and 1058665.

PRODUCT OVERVIEW

These durable wheel chock holders are suitable for attaching to the bodywork of any truck, trailer, or wall to create a secure place to store your wheel chocks when not in use.

Product SKU	Image	Length (mm)	Width (mm)	Height (mm)	To Suit
1001033		170	333	155	1058666, 6009684, 6008807, 6010929, 6010930, 6008801 and 6008800.
1001712		344	194	284	1001012
1001713		270	175	210	1001711
1058667		170	333	155	1058665

Get in Touch Today

Now that you've discovered everything you need to help make your site as safe as possible, ordering couldn't be simpler. Get in touch today with one of our sales team by calling 01420 550599 or emailing sales@polymax.co.uk. Alternatively, why not head over to www.polymax.co.uk to view our full product range. We offer over 150,000 of the highest quality rubber products from O-rings to flooring.

Remember, if it's made of rubber, we can supply it.

If you've enjoyed our service don't forget to leave us a 5-star review on Google, or let us know through our Twitter, Facebook or LinkedIn pages.





Building 75
Whitehill & Bordon Enterprise Park
Budds Lane, Bordon, Hampshire, GU35 0FJ

www.polymax.co.uk | sales@polymax.co.uk | +44 (0)1420 550599