

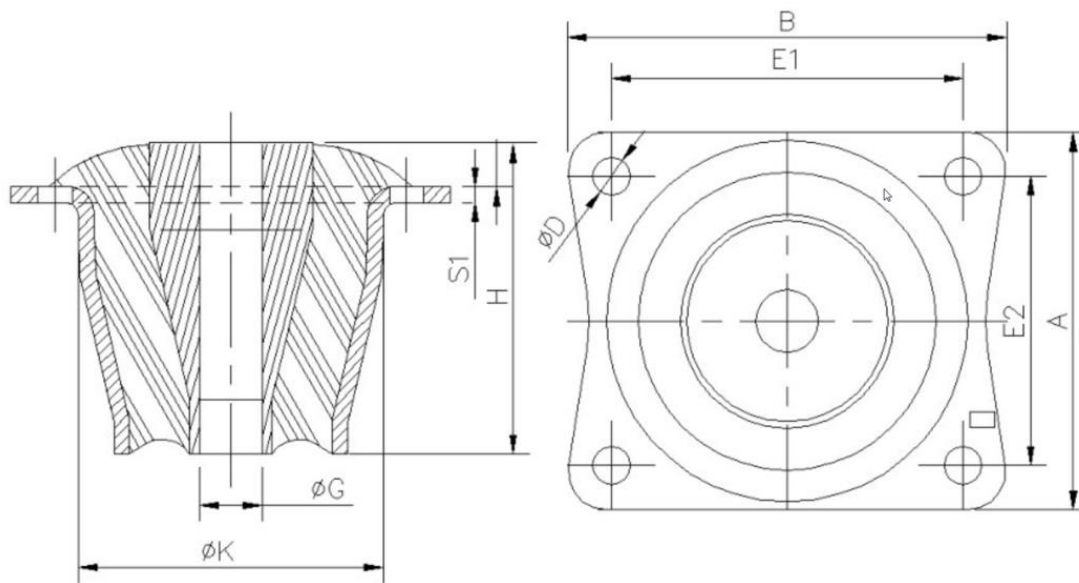
KMC MET Cab Mounts

Rectangular Curved Anti-Vibration Cabin Mounts or Cone Mounts

Anti-vibration units designed to take high axial direction loads and isolate the movement of heavy machinery and equipment. They are typically used to support the cabins of road, rail and other vehicles. Our CAB mounts are available in a variety of shore hardnesses and compounds to suit to your application.

Features:

- Rectangular shaped flat plate with curved edges and four fixing holes
- Available in shore hardness range of 35-70
- Stainless steel available on request
- Type KMVC available with added 'voids' for alternative stiffness ratio
- Rebound washers available to control and limit movement



Article No.	A (mm)	B (mm)	H (mm)	ØG (mm)	ØD (mm)	E1 (mm)	E2 (mm)	ØK (mm)	S1 (mm)	Max Load Soft	Max Load Med	Max Load Hard	Deflection
KMC8927	92	89	27.6	10.2	9	73			2	400	700	1000	3.8
KMC10564	92	105	64	16.3	10.5	82.7	69.5	75	4	3000	5000	7500	8
KMC10580	92	105	80	20.1	10.5	81	69.5	75	4	5500	11500	22000	5